



AKW Denova[®] Basin Mono Mixer Tap

Installation and User Care Instructions



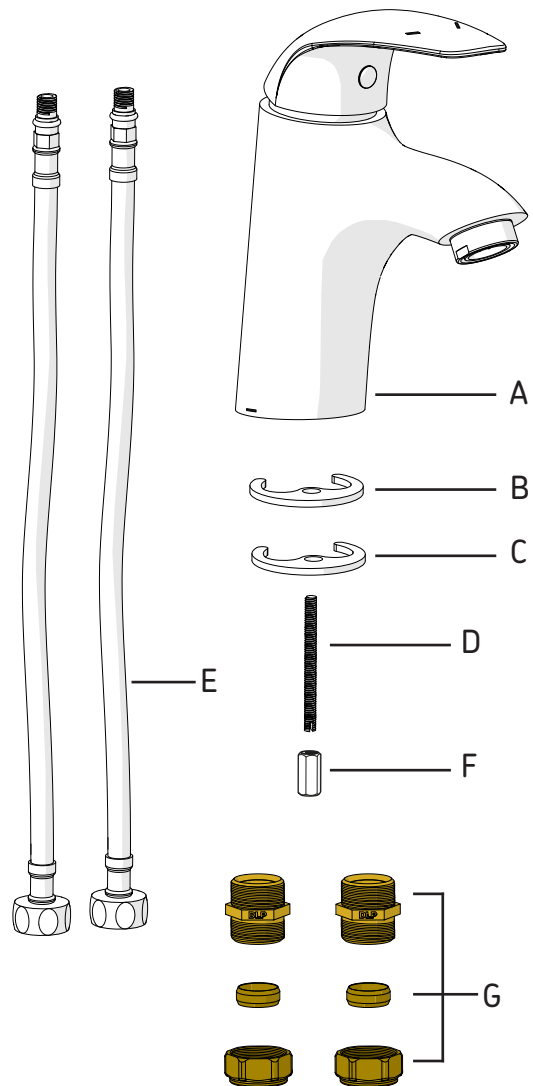
Read ALL instructions carefully BEFORE installation and leave with the end user

Important notes

This product must be installed in compliance with Water Byelaws. Isolating valves should be fitted. These taps are suitable for low and high pressure systems. Pressure regulators should be used to achieve nominally equal supply. If you are unsure, please obtain the advice of a professional plumber before attempting any work. Minimum working pressure 0.2 bar. Note: the hot and cold inlet tails are indicated at the base of the tap.

PARTS PROVIDED

Ref	Description	Qty
A	Basin mixer tap	1
B	Rubber horseshoe washer	1
C	Metal horseshoe washer	1
D	Stud	1
E	Flexible hose connectors	2
F	Fixing Nut	1
G	Brass straight connector, olive & nut	2



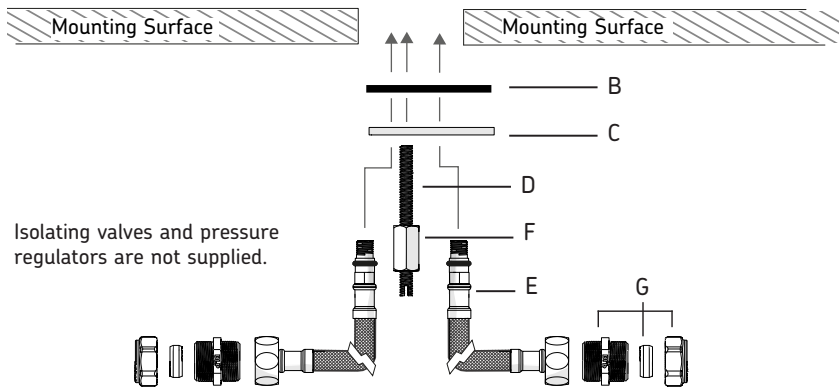
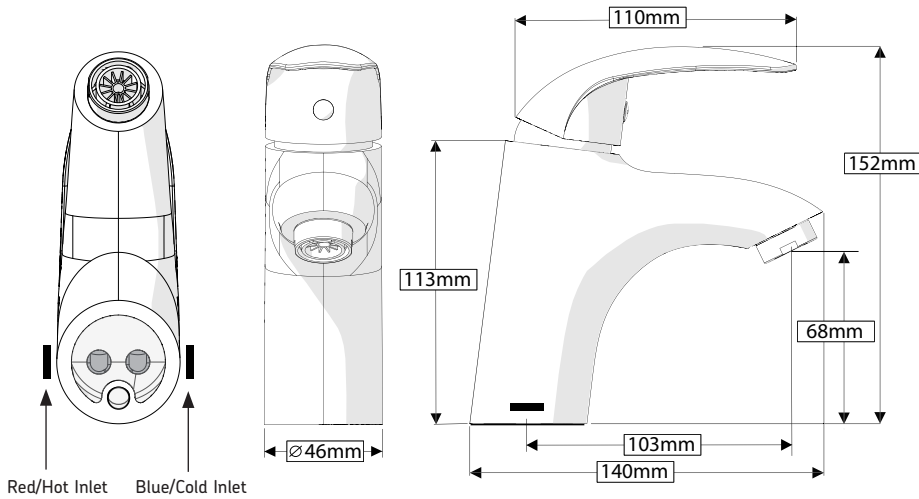
Flow rate for tap

Dynamic pressure	3 bar
Half Flow mixed water	10.5 L/min
Full Flow mixed water	25.4 L/min

Note: Reference values only.

Installation

Warning! Before installation, thoroughly flush through the supply pipes to remove any remaining swarf, solder or other impurities. Failure to do so could cause damage to the internals of the tap.



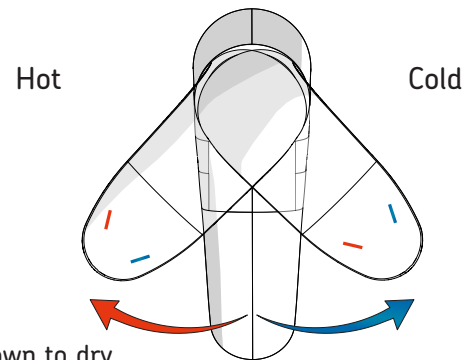
1. Check the water use requirements under local regulations and fit pressure regulators to the brass straight connectors (G) first, if required.
2. Attach the flexible hoses (E). Note which hose is connected to the hot and cold inlets.
3. Screw the stud (D) into the base of the mixer tap (A).
4. Ensure that the seating O-ring is under the base of the mixer tap before attaching to the mounting surface.
5. Place the mixer tap (A) on the mounting surface, inserting the flexible hoses (E) and the stud (D) through the hole in the surface.
6. Below the mounting surface, push the rubber and metal horseshoe washers (B & C respectively) onto the stud (D).
7. Whilst holding the washers in place, screw the fixing nut (F) onto the stud (D). Position the mixer as required. Once in position, hold the mixer and tighten the fixing nut (F) securely. Do not over-tighten as this may damage the mounting surface.
8. Connect the flexible hoses to the water supply. Hot and cold inlets are indicated by blue and red markers. Ensure that the hoses are connected to the supplies using isolating valves.

Commissioning

Open isolating valves and check for leaks.
Turn tap head to cold and lift to turn on.
Allow a few minutes of cold running and then repeat for the hot water.
Turn off and check for further leaks.

Cleaning and Care

Clean using warm, soapy water only.
Do not use scourers or abrasive cleaners which may affect the surface finish.
Never use corrosive acidic or alkaline cleaning materials on fittings or surfaces.
Always flush cleaning materials away with copious amounts of water and wipe down to dry.



AKW guarantees your product with a lifetime guarantee from the date of purchase. Life time guarantee applies only to manufacturing defects, faulty materials, or poor workmanship. This guarantee excludes general wear and tear through usage and does not apply to surface finishes or any damage caused by inappropriate cleaning. Do not use scourers or abrasive cleaners which may affect the surface finish as this will invalidate your guarantee. This life time guarantee also excludes any accidental damage, inappropriate use or damage that results from any modifications, repairs or lack of maintenance including the build-up of lime scale, waterborne debris, or surface damage from water freezing. This does not cover any damage caused by not following these installation instructions. For installation issues always contact your local installer first. Installer may resolve any present issues or choose to contact AKW. Within this period, AKW will decide to repair or replace as applicable. Work is to be undertaken only by AKW or our approved agents with prior agreement. Failure to install this AKW product in accordance with supplied instructions or the making of unauthorised modifications will invalidate any warranty and will affect product safety. This guarantee is in addition to your statutory and other legal rights, and becomes effective from the date of purchase. To validate the guarantee, you must retain proof of purchase. None of the foregoing affects your statutory rights.